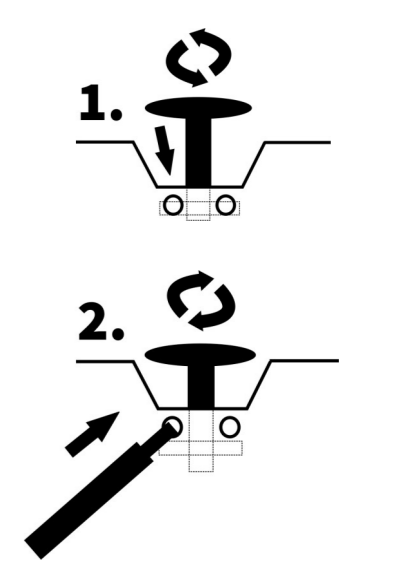
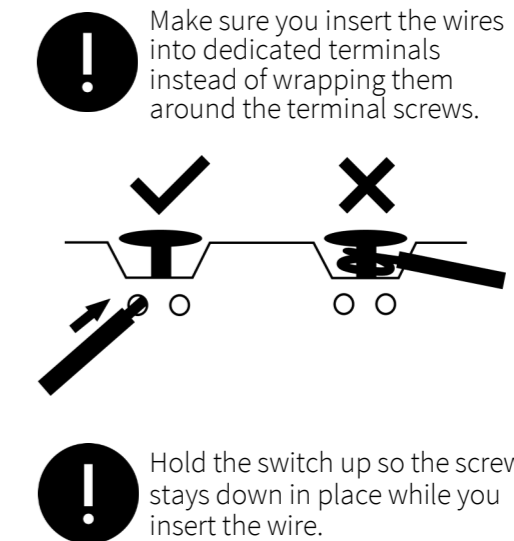
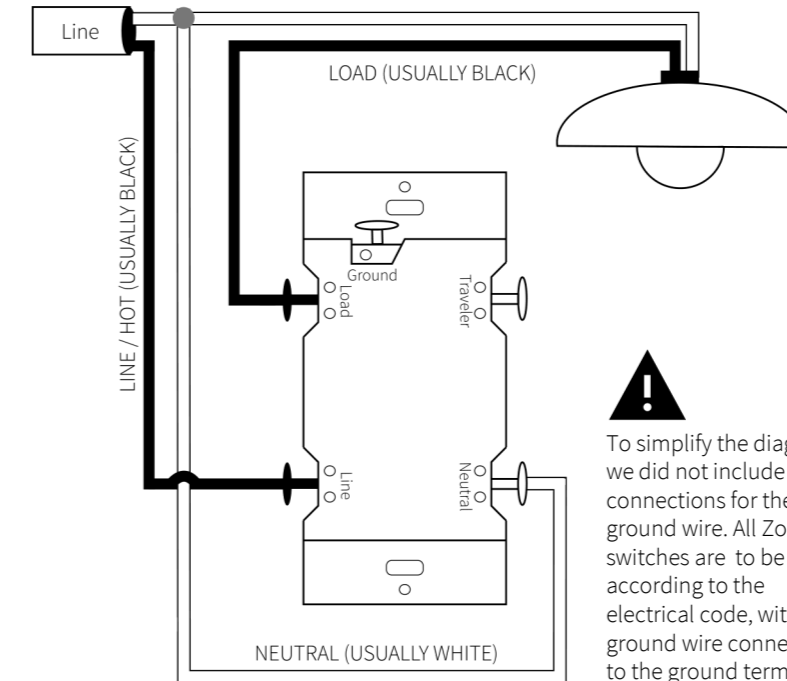


NOT CONNECT TO CEILING FANS, MOTORS, OR HOME APPLIANCES.

Canadian Electrical Code and all applicable local regulations.

- use a professional multimeter to locate load and line wires if needed
- Disconnect all wires from the old switch, labeling selected wires if necessary
- Verify that you are dealing with **14 AWG copper wire** as this is the only approved type of wiring for this installation. If you have 12 AWG wiring in the box, you need to provide 14 AWG connection to the switch terminals
- Connect the wires to the terminals of your new Z-Wave switch, starting with ground

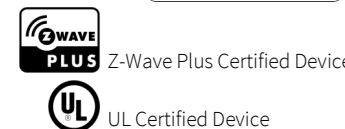
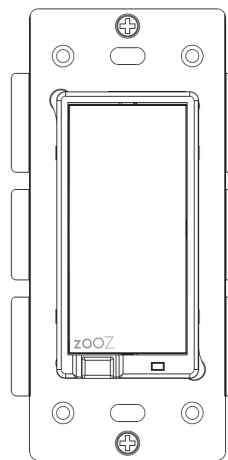


1. Loosen the terminal screws by carefully turning them counter clockwise to make space for the wire. **DO NOT unscrew them completely.**
2. Insert the wire and turn the screw clockwise to tighten the wire firmly in the terminal. **DO NOT OVERTIGHTEN!**

Always turn the screws CLOCKWISE to tighten the wires.

ZOOZ™
bright ideas

Z-WAVE ON/OFF SWITCH VER. 2.0
ZEN21



- ▶ Manual or remote on/off control from your mobile device or computer (when included to a Z-Wave gateway controller)
- ▶ Universal 3-way capability – works with existing 3-way switches as long as neutral is present
- ▶ Z-Wave Plus with improved 500 chip for faster and safer wireless communication
- ▶ Works with LED, CFL, and incandescent bulbs
- ▶ Remembers and restores on/off status after power failure
- ▶ Based on universal binary switch command class - supported by most Z-Wave controllers
- ▶ May be associated and grouped with other Z-Wave devices for advanced home automation
- ▶ LED indicator to help locate the switch in the dark
- ▶ Simple elegant design
- ▶ Built-in Z-Wave signal repeater for a stronger, more reliable network

- ▶ Model Number: ZEN21
- ▶ Z-Wave Signal Frequency: 908.42 MHz
- ▶ Power: 120 VAC, 60 Hz
- ▶ Minimum Load: 15W for LED and CFL bulbs
- ▶ Maximum Loads: 960W Incandescent, 1800W (15A) Resistive, ½ HP Motor
- ▶ Range: Up to 100 feet line of sight between the Wireless Controller and the closest Z-Wave receiver module
- ▶ Operating Temperature: 32-104° F (0-40° C)
- ▶ Installation and Use: Indoor only

Z-WAVE COMMAND CLASSES

This device requires the following command classes to be supported and recognized by your Z-Wave controller:

- COMMAND_CLASS_ASSOCIATION
- COMMAND_CLASS_ASSOCIATION_GRP_INFO
- COMMAND_CLASS_BASIC
- COMMAND_CLASS_CONFIGURATION
- COMMAND_CLASS_DEVICE_RESET_LOCALLY
- COMMAND_CLASS_MANUFACTURER_SPECIFIC
- COMMAND_CLASS_POWERLEVEL
- COMMAND_CLASS_SWITCH_ALL
- COMMAND_CLASS_SWITCH_BINARY
- COMMAND_CLASS_VERSION
- COMMAND_CLASS_ZWAVEPLUS_INFO

Let us know if you are having any issues installing or operating the device. Our fast and friendly tech support is here to help, every day of the year: ask@getzooz.com
Get more helpful tips at getzooz.com



CAUTION

This is an electrical device - please use caution when installing and operating the on/off switch. Remote control of appliances may result in unintentional or automated activation of power. Do not use this Z-Wave device to control electric heaters or other appliances which produce the risk of fire, burns, or electrical shock when unattended.

INSTALLATION: PLEASE READ

WAIT!

Make sure the load you are about to connect does not exceed 960W for incandescent lights, 150W for LED's/ CFL's, or 1800W (15A) for resistive loads. You need at least 15W on load for the switch to function correctly. DO



POWER OFF FIRST!

Before you take out the old switch and start replacing it with your new Z-Wave device, turn the circuit power OFF in the breaker panel. The switch must be installed according to the standards of the National Electric Code in the United States or the

If you do not have any experience handling electrical fixtures, please DO NOT install this device on your own. Hire a qualified professional instead as ignoring any of the above requirements may result in personal injury and/or equipment damage.

The below instructions are for single-pole installation only. If you are looking to install the switch as a 3-way, please turn the page to find the appropriate diagram.

1. Before you proceed, make sure power is OFF in the switch box
2. Take out the wall plate and mounting screws from the existing switch
3. Carefully remove the old switch from the gang box
4. Verify that you have identified the wiring in the switch box correctly and you are able to recognize the line, load, neutral, traveler, and ground –

Make sure you have identified all wiring correctly before connecting the switch. Load and line CANNOT be swapped. Neutral wire (most often white) is required for this device to function.

Please show this manual to your electrician to get them familiarized with Z-Wave switch wiring requirements.

product compliance to North American safety standards.

WARRANTY

This Limited Warranty applies to physical goods, and only for physical goods, purchased from Zooz (the "Physical Goods").

What does this limited warranty cover?

This Limited Warranty covers any defects in material or workmanship under normal use according to instructions from the User Manual during the Warranty Period. Warranty coverage applies to purchases made from authorized dealers only. See full list of Zooz distributors here: getzooz.com/buy During the Warranty Period, Zooz will repair or replace, at no charge, products or parts of a product that prove defective because of improper material or workmanship, under normal use and recommended maintenance. Zooz does not assume the cost of return shipping for warranty service.

UL CERTIFIED

This is an UL certified device. UL, just like ETL, is a Nationally Recognized Testing Laboratory. The UL mark is proof of

create events. This on/off switch supports Group 1 with up to 5 devices for lifeline communication. This device will send BASIC REPORT to Group 1 when operated manually. Please refer to your controller's user guide for advanced programming instructions as they are a little different for each software.

ADVANCED SETTINGS

If your controller's software allows for advanced configuration and parameter adjustment, you will be able to change and save the settings below and customize the switch to serve your needs.

Paddle Control

Parameter 1: Choose if you want the upper paddle to turn the light on or turn the light off when tapped
Values: 0 – Upper paddle turns the light on, lower paddle turns the light off (default); 1 – Upper paddle turns the light off, lower paddle turns the light on
Size: 1 byte dec.



WARNING

- ▶ This product should be installed indoors upon completion of any building renovations
- ▶ Prior to installation, the device should be stored in a dry, dust-and-mold-proof place

Please repeat the process following all steps carefully if the first attempt is unsuccessful.

FACTORY RESET

The switch will be reset to factory defaults only by exclusion using a Z-Wave controller. You may use any certified Z-Wave controller to exclude and reset the switch. This device may not be reset manually when the network's primary controller is missing or otherwise inoperable. NOTE: All previously recorded activity and custom settings will be erased from the device's memory.

ASSOCIATION

Once the Z-Wave switch is added to your network, you are able to turn the device on or off remotely from your mobile device, computer, or Z-Wave remote control. Depending on your Z-Wave gateway's home automation software capabilities, you may be able to associate your Z-Wave switch in groups with other Z-Wave devices to schedule scenes and

TROUBLESHOOTING TIPS:

If you are unable to include the Z-Wave switch to your controller, please try one of the following:

- ▶ Bring the controller closer to your Z-Wave switch or use a hand-held secondary controller for inclusion
- ▶ Tap the **upper paddle** of the switch at least 6 or 7 times once you put the hub into inclusion mode to ensure the command has gone through
- ▶ Put your controller into EXCLUSION mode and tap the **lower paddle** of the switch 3 times very quickly, then try adding it to your network again

Z-WAVE EXCLUSION

1. Bring your Z-Wave gateway hub or controller as close to the switch as possible
2. Put your Z-Wave controller into inclusion mode
3. Tap the **upper paddle** of the switch 3 times very quickly to finalize the inclusion process
4. A new on/off device will appear on your controller's device list

Now turn the power back on and test the device. First, see if you are able to control the light manually. Simply tap on the upper (on) or lower (off) part of the switch.

If the test fails, please check that:

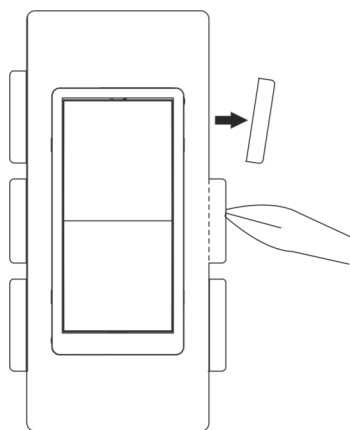
- ▶ power has been fully restored to the circuit
- ▶ you have wired the switch exactly according to the instructions in this manual
- ▶ the load type is supported by this device (see specifications for details)

WIRELESS CONTROL

Z-WAVE INCLUSION

1. Bring your Z-Wave gateway hub or controller as close to the switch as possible
2. Put your Z-Wave controller into inclusion mode
3. Tap the **upper paddle** of the switch 3 times very quickly to finalize the inclusion process
4. A new on/off device will appear on your controller's device list

For multi-gang-box installation, you may need to break the side tabs off with pliers to fit the switch next to the neighboring switches



8. Secure your Z-Wave switch in the box with mounting screws, handling the wires with care.



9. Install the wall plate with the included short screws

or replace the product within 30 days of purchase or within applicable reseller's return period.

IN NO EVENT SHALL ZOOZ OR ITS SUBSIDIARIES AND AFFILIATES BE LIABLE FOR ANY INDIRECT, INCIDENTAL, PUNITIVE, SPECIAL, OR CONSEQUENTIAL DAMAGES, OR DAMAGES FOR LOSS OF PROFITS, REVENUE, OR USE INCURRED BY CUSTOMER OR ANY THIRD PARTY, WHETHER IN AN ACTION IN CONTRACT, OR OTHERWISE EVEN IF ADVISED OF THE POSSIBILITY OF SUCH DAMAGES. ZOOZ'S LIABILITY AND CUSTOMER'S EXCLUSIVE REMEDY FOR ANY CAUSE OF ACTION ARISING IN CONNECTION WITH THIS AGREEMENT OR THE SALE OR USE OF THE PRODUCTS, WHETHER BASED ON NEGLIGENCE, STRICT LIABILITY, BREACH OF WARRANTY, BREACH OF AGREEMENT, OR EQUITABLE PRINCIPLES, IS EXPRESSLY LIMITED TO, AT ZOOZ'S OPTION, REPLACEMENT OF, OR REPAYMENT OF THE PURCHASE PRICE FOR THAT PORTION OF PRODUCTS WITH RESPECT TO WHICH DAMAGES ARE CLAIMED. ALL CLAIMS OF ANY KIND ARISING IN CONNECTION WITH THIS AGREEMENT OR THE SALE OR USE OF PRODUCTS SHALL BE DEEMED WAIVED UNLESS MADE IN WRITING WITHIN THIRTY (30) DAYS FROM ZOOZ'S DELIVERY, OR THE DATE FIXED FOR DELIVERY IN THE EVENT OF NONDELIVERY.

FCC NOTE
THE MANUFACTURER IS NOT RESPONSIBLE FOR ANY RADIO OR TV INTERFERENCE CAUSED BY UNAUTHORIZED MODIFICATIONS TO THIS EQUIPMENT. SUCH MODIFICATIONS COULD VOID THE USER'S AUTHORITY TO OPERATE THE EQUIPMENT. STORE INDOORS WHEN NOT IN USE. SUITABLE FOR DRY LOCATIONS ONLY. DO NOT IMMERSE IN WATER. NOT FOR USE WHERE DIRECTLY EXPOSED TO WATER. This device complies with Part 15 of the FCC Rules.

Operation is subject to the following conditions:
1. This device may not cause harmful interference.
2. This device must accept any interference received, including interference that may cause undesired operation.
This equipment has been tested and found to comply with the limits for a Class B digital device, pursuant to part 15 of the FCC Rules.
These limits are designed to provide reasonable protection against harmful interference in a residential installation.
This equipment generates, uses and can radiate radio frequency energy and, if not installed and used according to instructions, may cause harmful interference to radio communications.
However, there is no guarantee that interference will not occur in any given installation.
If this equipment causes harmful interference to radio or television reception, the user may try to correct the interference by taking one or more of the following measures:
- Reorient or relocate receiving antenna
- Increase the separation between equipment and receiver
- Connect equipment into a separate outlet or circuit from receiver
- Consult the dealer or an experienced radio/TV technician for additional assistance

All brand names displayed are trademarks of their respective holders.
© Zooz 2017

ask@getzooz.com
www.getzooz.com